

匯統國際股份有限公司
Huey Tung International Co., Ltd.

產品規格書 Specification

[Model :HT-2.5"(1600086-G01) / 2016.8.10 version]



Cara Audio Corporation

No.69, Lane 762, Dingzhong Road, Sanmin District, Kaohsiung City, Taiwan, ROC.


Tel: 886-7-310 5786 / Fax: 886-7-310 0783

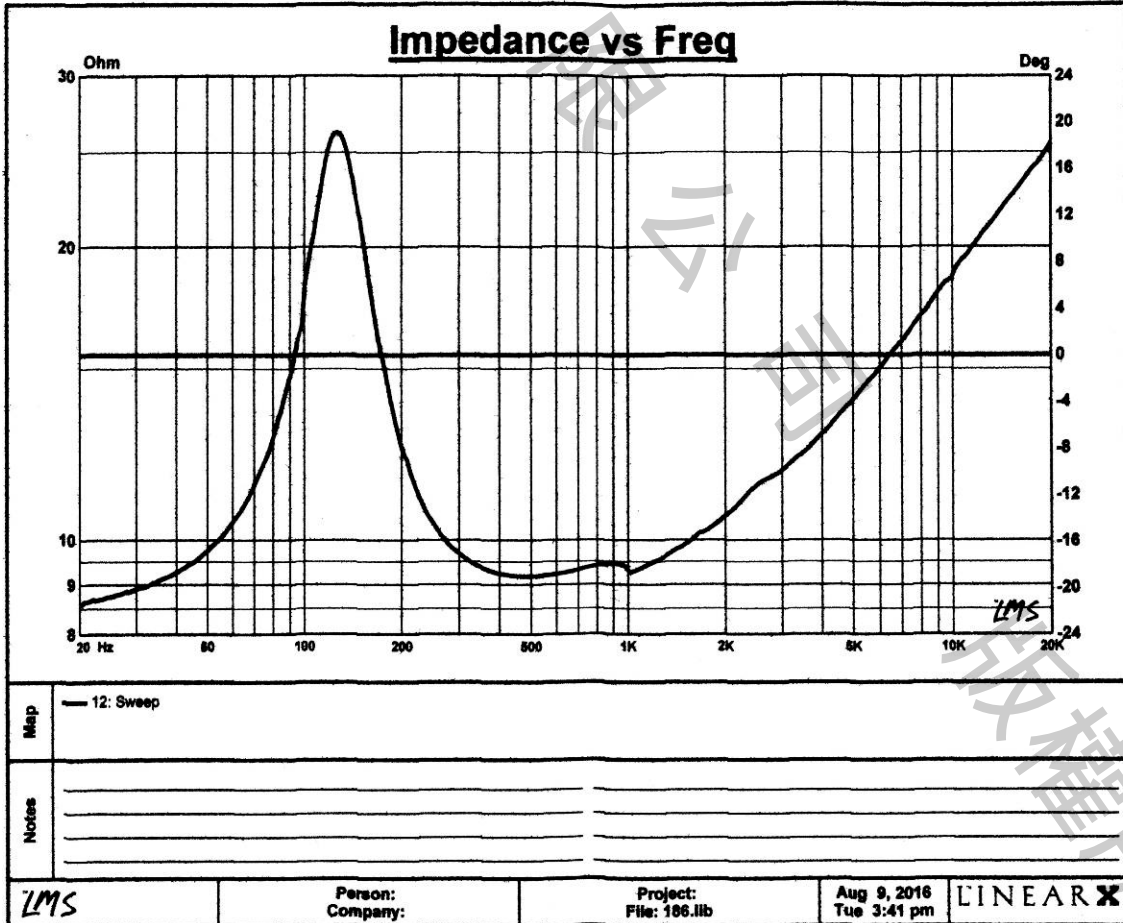
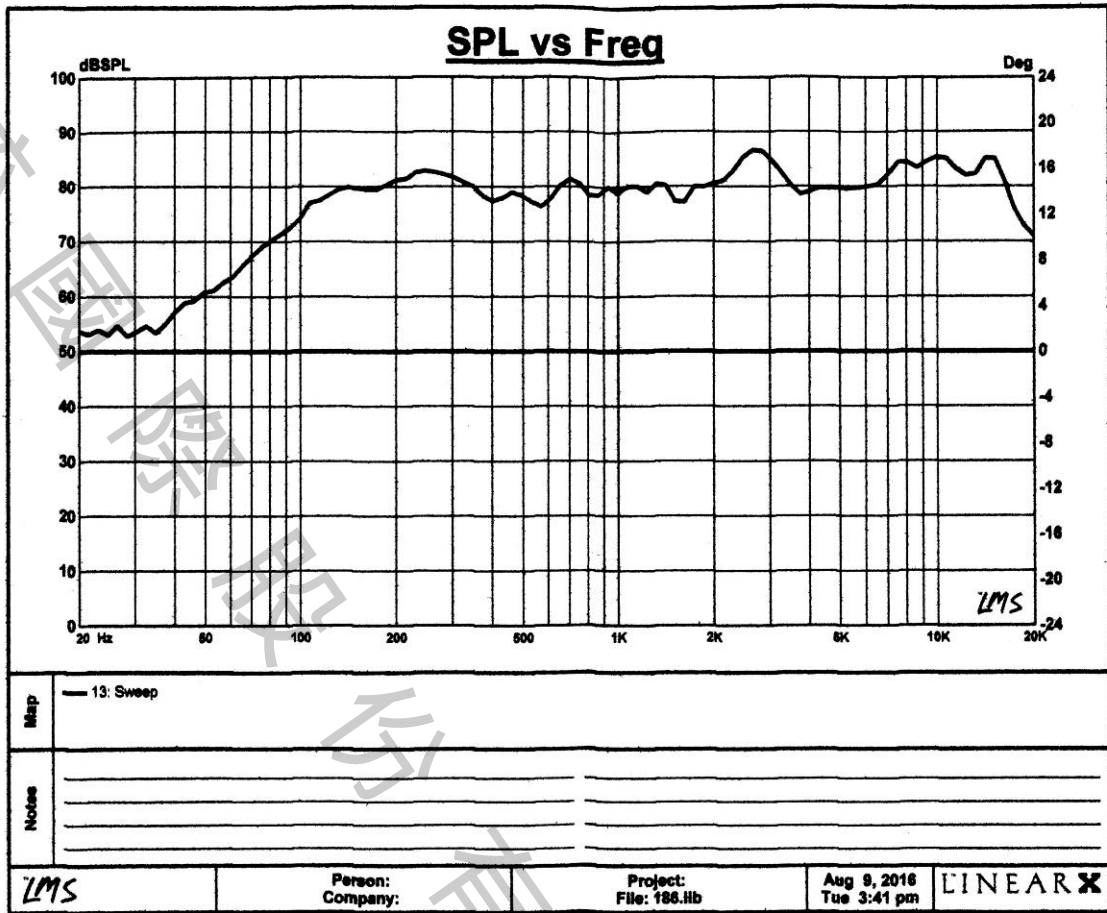
E-mail: carawang@hueytung.com.tw / <http://www.hueytung.com.tw>

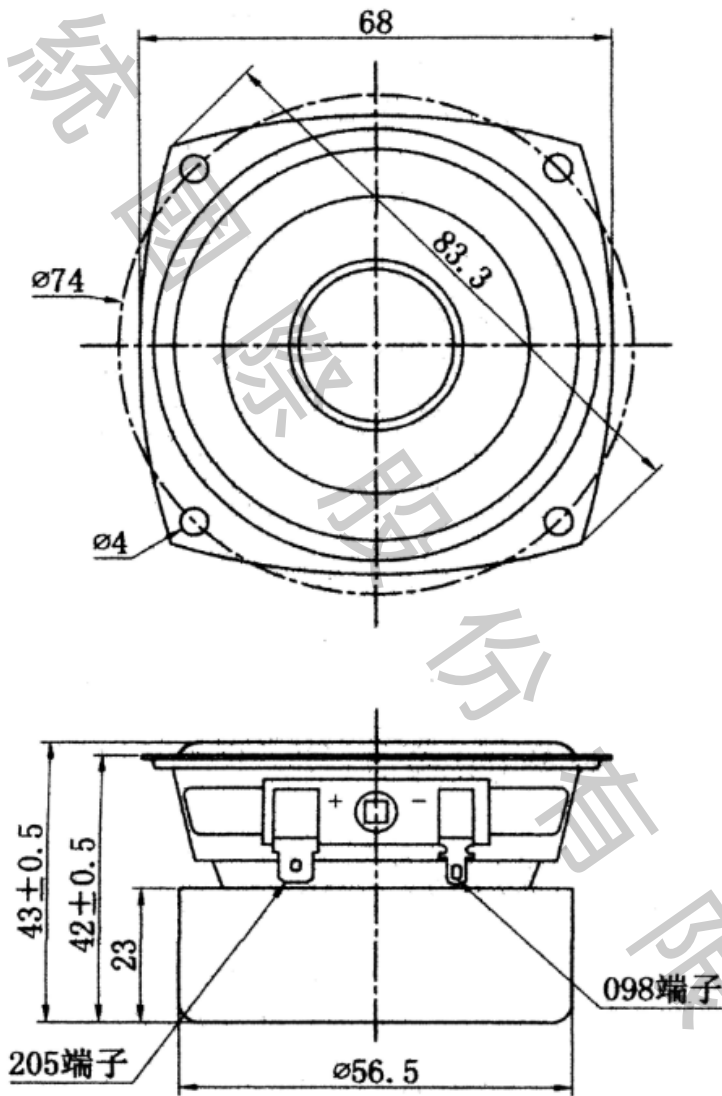
揚聲器製品規格書

SPEAKER SPECIFICATION

型號 Model Number: HT-2.5" (1600086-G01)

	項目 Items	規格 Specification			
1	公称阻抗 Nominal Impedance	8Ω±15%			
2	最低共振周波数 Lowest Resonance Frequency	130±20%Hz Without a baffle			
3	实效周波数帯域 Effective Frequency Range	F0~10KHz -10dB			
4	出力音压 Output Sound Pressure Level	80dB±3dB 1W/1M at (600,800,1K,1.2K)Hz AVE.			
5	入力 Input	定格入力 Rated input 8 W	最大入力 Maximum input 15 W		
6	磁束密度 Flux Density	-----±10% GAUSS			
7	异常音试验电压 Buzz & Rattle Test	Must be normal at sine wave 5.66 V			
8	动作试验电压 Operation Test	Must be normal at program source			
9	极性 Polarity	從 SPK 端子正極輸入正電流，另一端輸入負電流時，振動皮向前推動			
10	磁石尺寸/重量 Magnet Dimension/Weigh	Magnet:50*22*8 Y30 Sub Magnet: 50*22*8 Y25	/G		
11	连续负荷试验 Life Test	WHITE IEC-268-5 8 W 96 hours	After the Test, Speaker should be meet the Outside and item 7,8		
12	耐热试验 Heat Resistance	70℃±2℃ 30%-35%RH 8Hours and then room temperature 1 hours			
13	耐湿试验 Humidity Resistance	40℃±2℃ 90%-95%RH 8Hours and then room temperature 1 hours			
14	耐寒试验 Cold Resistance	/			
15	落下试验 Drop Test	1M 75°±2°			
16	绝缘耐压试验 Insulation Resistance	Or more 1MΩ 以上			
17	周波数特性 Frequency Response Curve	参照附图 On Other Drawing			
18	失真率 Distortion	/			
19	各部 材质	Cone Paper	Paper + Rubber Edge		
		Voice Coil	20Φ*8Ω ASV 加導 90°		
		Cap	/		
20	总重量 Total Weight	/			
		Size: 2.5" 試作發行: 2016. 8. 10	Approve: Arthur	Check: Chen	Design: LIU





Tolerance: ± 0.5

Unit: mm